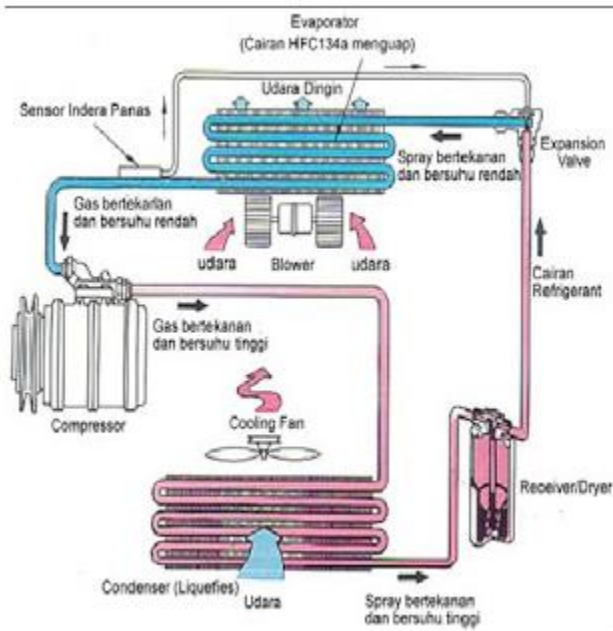
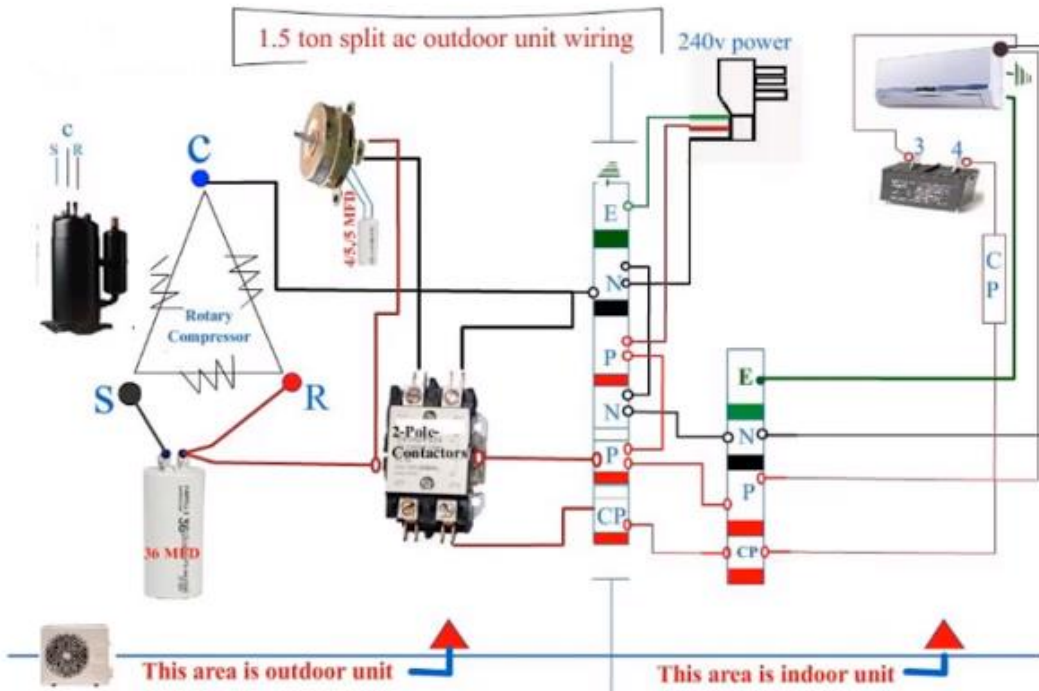


# Working principle of AC (Air Conditioner)



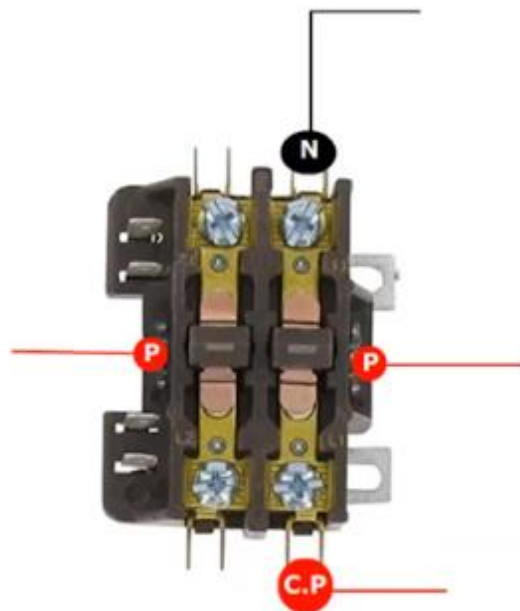
# Air Conditioner Wiring Diagram



## Air Conditioner Relay



## 2 Pole-Connectors

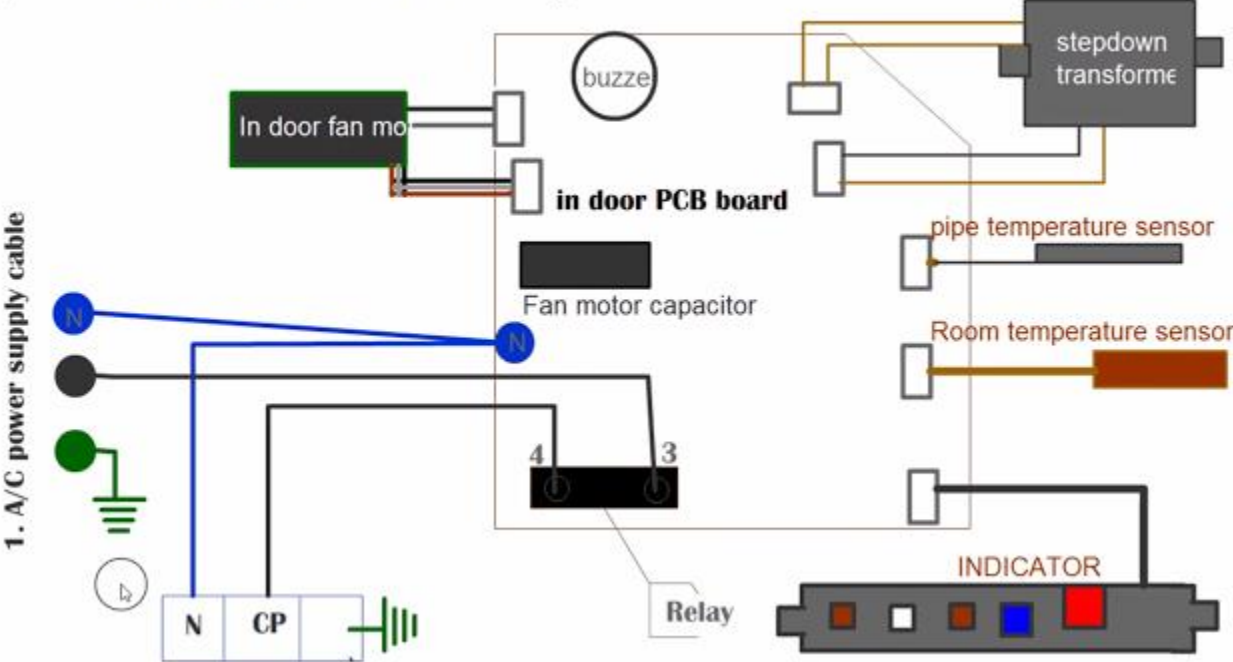


# Electrical Terminal Connections AC



# Split Air Conditioner Indoor PCB Board Wiring Diagram

Split air conditioner in door PCB board wiring



# Wiring Diagram Split System Air Conditioner (Outdoor Section)

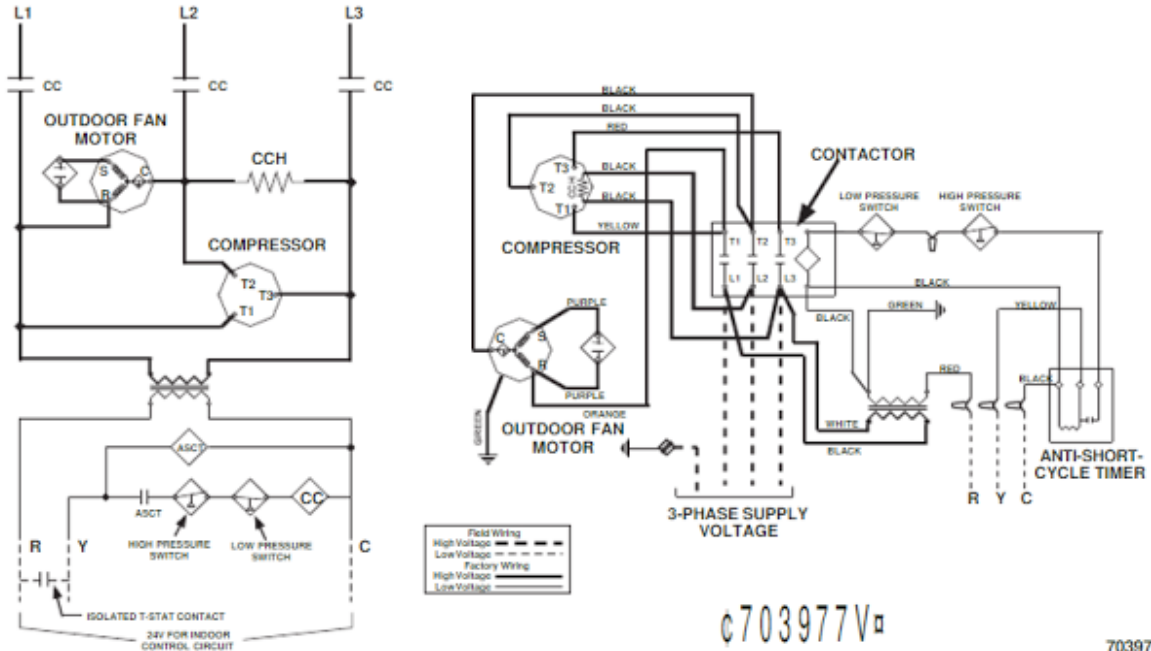
## WIRING DIAGRAM

### Split System Air Conditioner (Outdoor Section)

### Three Phase

- Notes:**
- 1) Disconnect all power before servicing.
  - 2) For supply connections use copper conductors only.
  - 3) Furnace/Air Handler w/factory equipped 24 V control circuit transformers, should be modified/rewired to ONLY use 24V transformer from outdoor section. See installation instructions for typical modifications.
  - 4) For replacement wires use conductors suitable for 105° C.
  - 5) For ampacities and overcurrent protection, see unit rating plate.

- 1) Couper le courant avant de faire le r tretien.
- 2) Employez uniquement des conducteurs en cuivre.



Thank you for visiting my website 😊.

<https://circuitdiagrammaker.blogspot.com>